

Rev	Sts	Description	Date
P01	S4	Issued for Planning	24.06.20
P02	S2	Issued for Information - Site Plan Updated	16.03.21
P03	S2	Issued for Information - Site Plan Updated	13.04.21
P04	S2	Issued for Planning	29.03.22
P05	S2	Issued for Planning	27.09.23
P06	S2	Issued for Information	14.06.24

MMOS The Chapel,
Blackrock House,
Blackrock Road
Cork, T12 KRK7
MURPHY - MATSON - O'SULLIVAN
CONSULTING CIVIL & STRUCTURAL ENGINEERS
Tel : 353 21 4317608

PROJECT
Proposed Development at
Courtstown, Little Island, Co. Cork

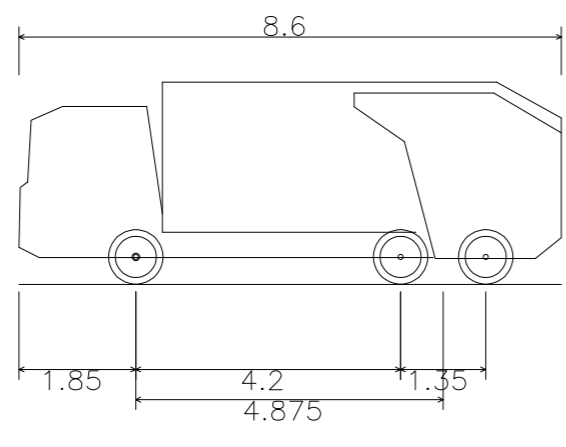
CLIENT
Ruden Homes Ltd.

TITLE
Autotrack Plan
Sheet 1 of 2

DRAWN BY T.O.C. CHECKED BY P.M. APPROVED BY P.M.

SCALE As Shown PROJECT NUMBER 20093

DOCUMENT REFERENCE 20093-MMS-ZZ-ST-DR-C-10024 STATUS: S2
REV: P06
PROJECT-ORIGINATOR-ZONE-LEVEL-TYPE-DISCIPLINE-NUMBER



MMS_Mercedes Refuse Truck
Overall Length 8.600m
Overall Width 2.490m
Overall Body Height 3.204m
Min Body Ground Clearance 0.409m
Track Width 2.490m
Lock-to-lock time 4.00s
Wall to Wall Turning Radius 9.500m

