

Rev	Sts	Description	Date
P02	S2	Issued for IW Comments	20.07.20
P03	S2	Issued for IW Comments	20.07.20
P04	S2	Issued for Information - Site Plan Updated	15.03.21
P05	S2	Issued for Information - Site Plan Updated	13.04.21
P06	S2	Issued for Planning	15.07.22
P07	S2	Issued for Planning	27.09.23
P08	S2	Issued for Information	14.06.24

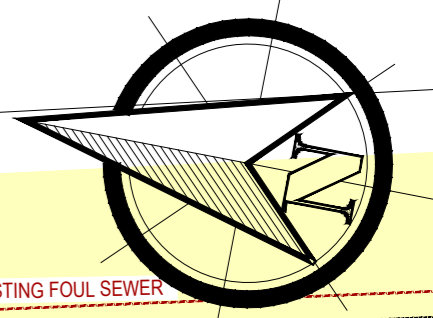
MMOS The Chapel,
Blackrock House,
Blackrock Road
Cork, T12 KRK7
MURPHY - MATSON - O'SULLIVAN
CONSULTING CIVIL & STRUCTURAL ENGINEERS
Tel : 353 21 4317608

PROJECT
Proposed Development at
Courtstown, Little Island, Co. Cork

CLIENT
Ruden Homes Ltd.

TITLE
Proposed Combined Services Layout
Plan Sheet 1 of 2

DRAWN BY G.S.	CHECKED BY P.M.	APPROVED BY P.M.
SCALE As Shown	PROJECT NUMBER 20093	
DOCUMENT REFERENCE 20093-MMS-ZZ-ST-DR-C-10027		STATUS S2
PROJECT-ORIGINATOR-ZONE-LEVEL-TYPE-DICIPLINE-NUMBER		REV P08



CIVIL LEGEND	
ACO DRAIN	—
Ex. SURFACE WATER	—
SURFACE WATER	—
Ex. WASTE WATER	—
WASTE WATER	—
WASTE WATER RISING MAIN	—
FOUL INSPECTION CHAMBER	◊ IC
SURFACE ACCESS JUNCTION	◊ AJ
RAINWATER PIPE	-RWP
SOIL VENT PIPE	-SVP
ROAD GULLEY	-RG
BACK INLET GULLEY TRAP	-BIGT
FOUL RODDING EYE	-RE
SURFACE RODDING EYE	-RE
GULLEY TRAP	-GT
Ex. WATERMAIN	—
IW APPROVED WATERMAIN	—
SLUICE VALVE	SV
SCOUR VALVE	SC
AIR VALVE	AV
FIRE HYDRANT	H
WASHOUT HYDRANT	WH
BOUNDARY BOX WATER METER	M
IRRIGATION VALVE	IV
TRUST BLOCK	* TB
BULK METER	BM
BIOSWALE	▨
PERMEABLE CAR PARK SPACE	▨

