

Rev	Sts	Description	Date
P01	S2	Issued for Planning	24.06.20
P02	S2	Issued for Information - Site Plan Updated	16.09.20
P03	S2	Issued for Information - Site Plan Updated	15.03.21
P04	S2	Issued for Information - Site Plan Updated	13.04.21
P05	S2	Issued for Information - Interceptors Added	19.04.21
P06	S2	Issued for Planning	15.07.22
P07	S2	Issued for Planning	27.09.23
P08	S2	Issued for Information	14.06.24

**MMOS** The Chapel,  
Blackrock House,  
Blackrock Road  
Cork, T12 KRK7  
MURPHY-MATSON-O'SULLIVAN  
CONSULTING CIVIL & STRUCTURAL ENGINEERS  
Tel : 353 21 4317608

PROJECT  
Proposed Development at  
Courtstown, Little Island, Co. Cork

CLIENT  
Ruden Homes Ltd.

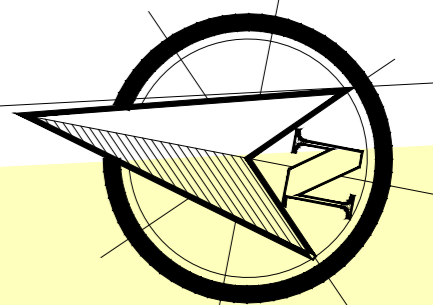
TITLE  
Proposed Surface Water Layout Plan  
Sheet 1 of 2

DRAWN BY G.S. CHECKED BY P.M. APPROVED BY P.M.

SCALE As Shown PROJECT NUMBER 20093

DOCUMENT REFERENCE 20093-MMS-ZZ-ST-DR-C-10002 STATUS S2

PROJECT-ORIGINATOR-ZONE-LEVEL-TYPE-DICIPLINE-NUMBER P08



**CIVIL LEGEND**

- ACO DRAIN —
- Ex. SURFACE WATER —
- SURFACE WATER —
- Ex. WASTE WATER —
- WASTE WATER —
- WASTE WATER RISING MAIN —
- FOUL INSPECTION CHAMBER ◇ IC
- SURFACE ACCESS JUNCTION ◇ AJ
- RAINWATER PIPE ○ RWP
- SOIL VENT PIPE ● SVP
- ROAD GULLEY = RG
- BACK INLET GULLEY TRAP ● BIGT
- FOUL RODDING EYE - RE
- SURFACE RODDING EYE - RE
- GULLEY TRAP ● GT
- Ex. WATERMAIN —
- IW APPROVED WATERMAIN —
- SLUICE VALVE SV
- SCOUR VALVE SC
- AIR VALVE AV
- FIRE HYDRANT H
- WASHOUT HYDRANT WH
- BOUNDARY BOX/ WATER METER M
- IRRIGATION VALVE IV
- TRUST BLOCK \* TB
- BULK METER BM
- BIOSWALE ▨
- PERMEABLE CAR PARK SPACE ▨

